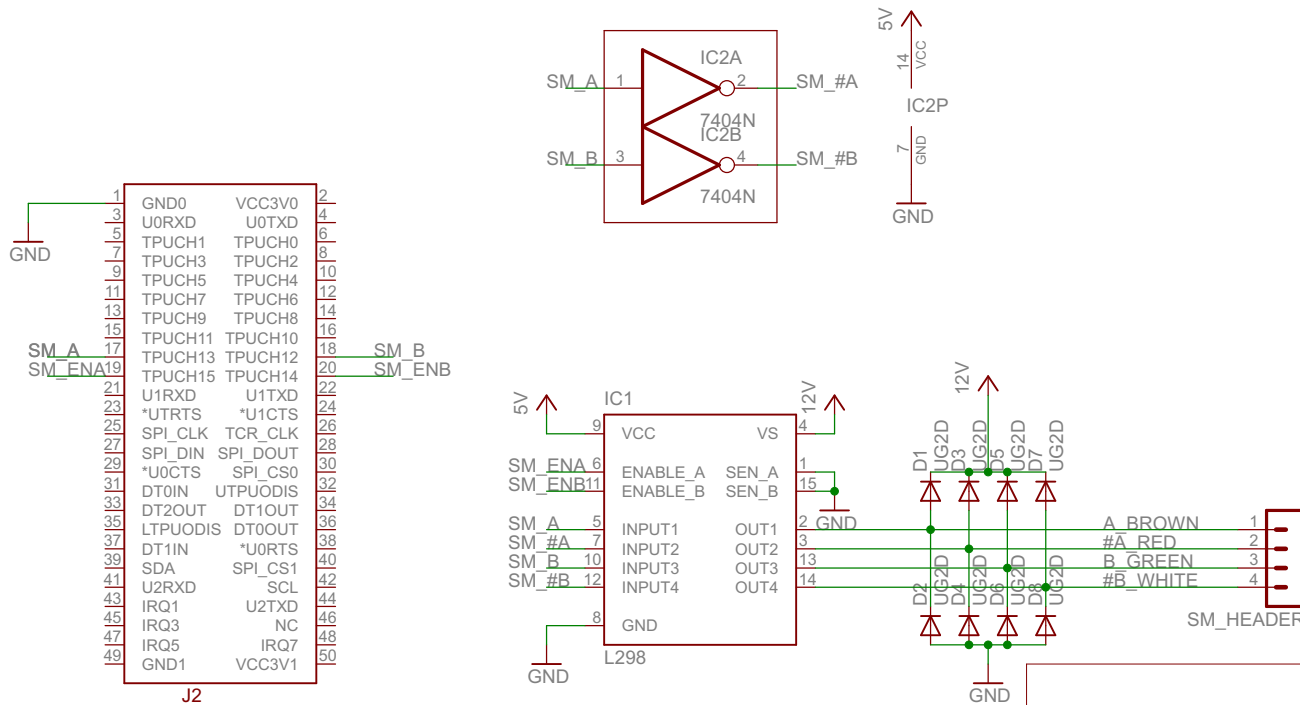


CMPE401 Fall2008 Lab #5 Schematic

NOTES:

- The L298 requires both 5V and 12V supplies
- The 74LS04 requires a 5 V supply
- All Grounds must be common
- All Diodes are UG2D High Speed Switching Diodes
- Power pins for the Hex Inverter are given to the right of the part



TITLE: motor	
Document Number:	REV:
Date: 11/14/2008 10:39:38 AM	Sheet: 1/1