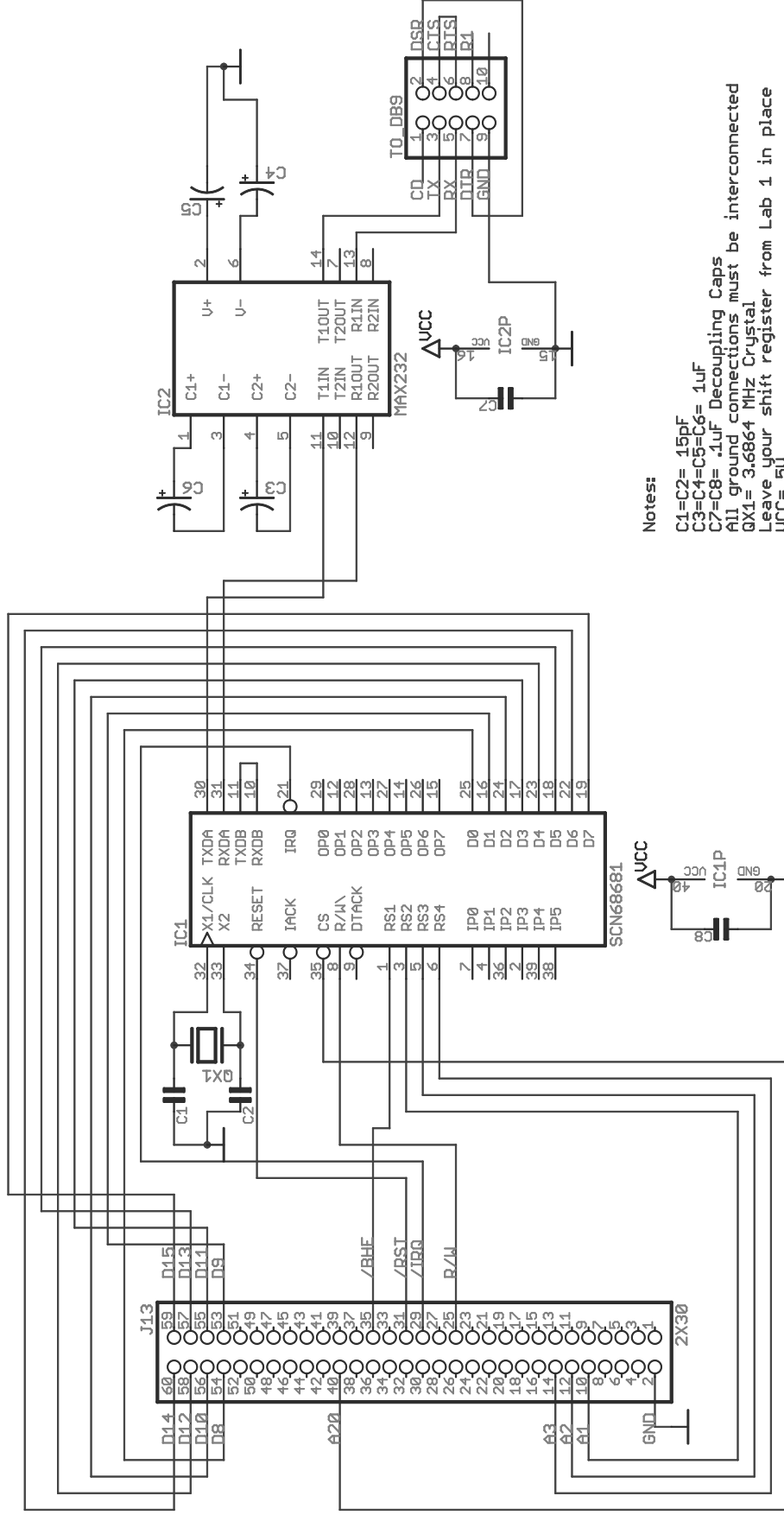


CMPE401  
Lab 2 Schematic Fall 2005



Notes:  
 C1=C2= 15pF  
 C3=C4=C5=C6= 1uF  
 C7=C8= .1uF Decoupling Caps  
 All ground connections must be interconnected  
 QX1= 3.6864 MHz Crystal  
 Leave your shift register from Lab 1 in place  
 VCC= 5V

TITLE: CMPE401Fall2005Lab2	
Document Number:	REV:
Date: 9/30/2005 09:00:51	Sheet: 1/1